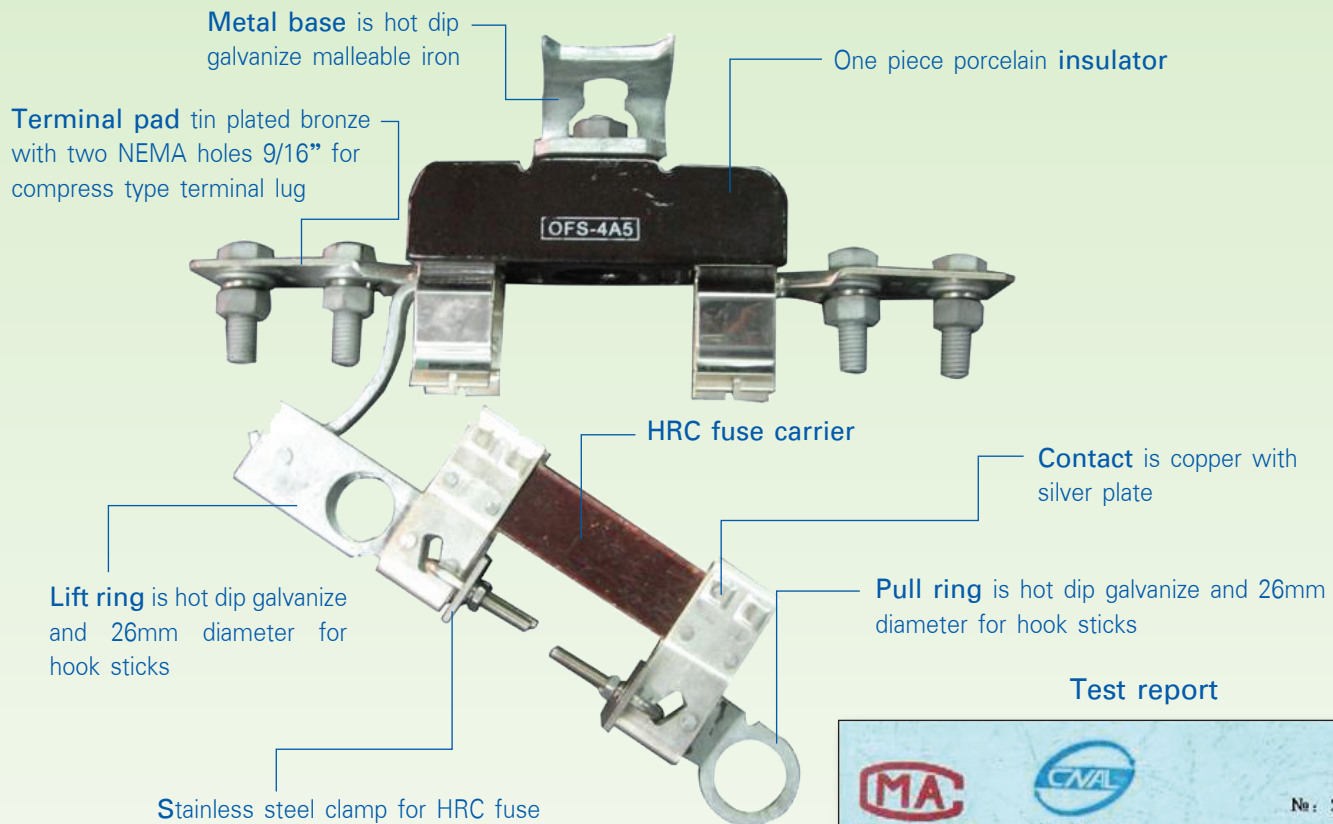


PRECISE LOW TENSION FUSE SWITCH

LOW TENSION FUSE SWITCH 400A 500V TYPE OFS-4A5



Feature

- Design and manufacture accordance to IEC 60947-3
- Suits HRC fuse bolted connections type size B1 to B4 and blade contacts type size 0 to 2 accordance to IEC 60269-2-1
- Single pole – Single throw switch
- Rated maximum voltage 500V and 400A maximum current
- Suits NEMA PAD 2 Holes terminal
- Suits standard hook-sticks
- On-load switching capability

Test report

MA
CMAA
No. 2005155
No. L0983

TEST REPORT

SAMPLE NAME: LOW TENSION FUSE SWITCH

TYPE: OFS-4A5

CLIENT: PRECISE GREEN PRODUCTS CO., LTD.

KIND OF TEST: TYPE TEST

Hunan Electrical Equipment Testing & Inspection Institute

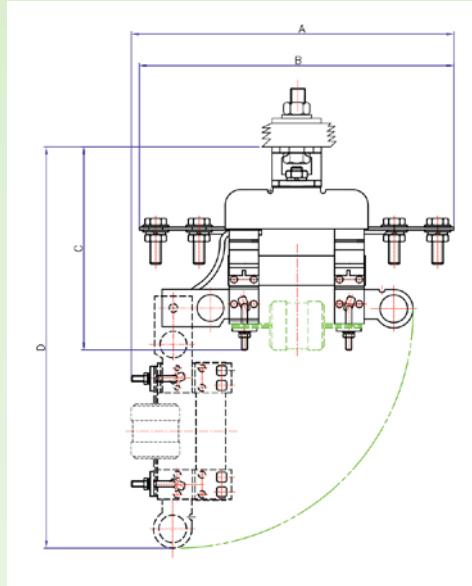


PRECISE INTERNATIONAL CORPORATION LTD.

Sale Office: 1842 Krungthep-Nonthaburi Rd., Bangsue, Bangkok, 10800 Thailand
Telephone: (662) 910 9700-12 Telefax: (662) 910 9713-4
Website: www.precise.co.th E-mail: info@precise.co.th

PRECISE LOW TENSION FUSE SWITCH

LOW TENSION FUSE SWITCH 400A 500V TYPE OFS-4A5



Low tension fuse switch dimensions with HRC fuse

Dimensions Data (mm)

A	B	C	D
323	319	203	399

Performance Characteristics

Applied standard	IEC 60947-3
Rated operation voltage V-RMS	500
Rated insulation voltage V-RMS	1000
Rated operation current with fuse link A-RMS	400
Rated frequency Hz	50
Rated condition short-circuit current kA-RMS	50
Rated impulse withstand voltage kV-peak	12
Rated make-break current at 0.65 PF, 5 operation cycle A-RMS	600
Creepage distance Min. mm	32
Utilization category	AC-21B
Infrequent operation with current	220*
Infrequent operation without current	1400*
Degree of protection	IP00
Approximate overall weight kg.	2.8

*Number of operation cycle at 60 operations cycle hour



Factsheet No.: PGP-PGP102-FS-0004
Factsheet: State 3 Issued On : 01/04/2007

Authorized Dealer:

Revision No. 0 Date : 01/04/2007